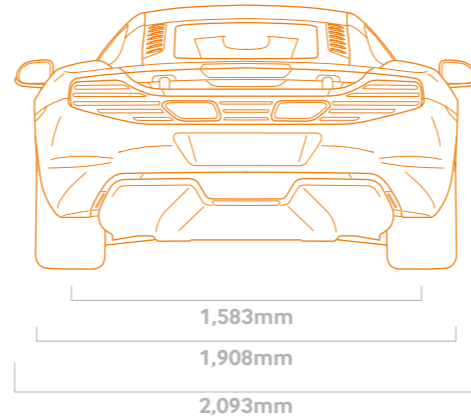
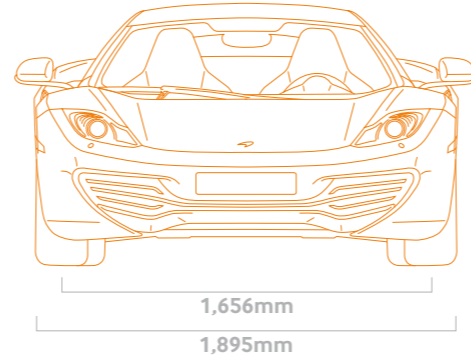
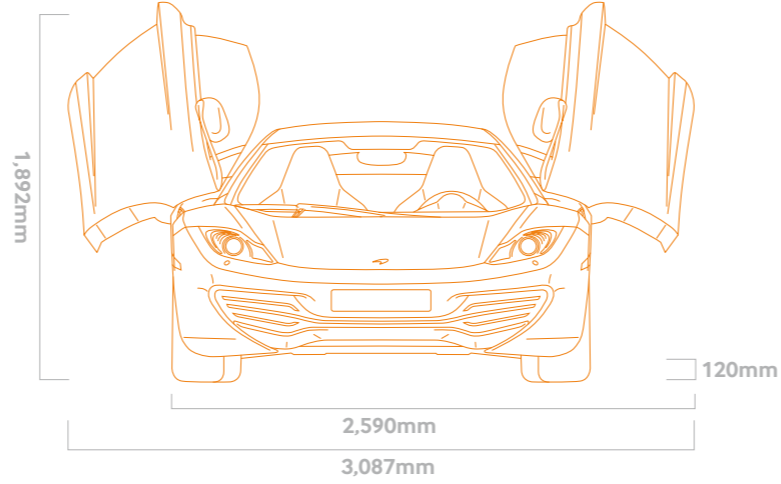
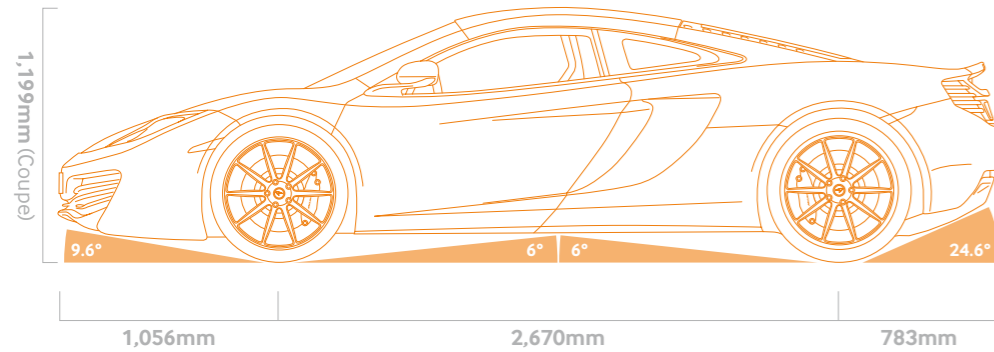
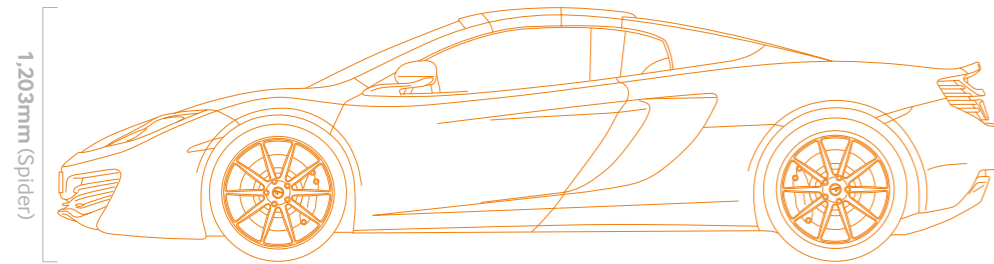
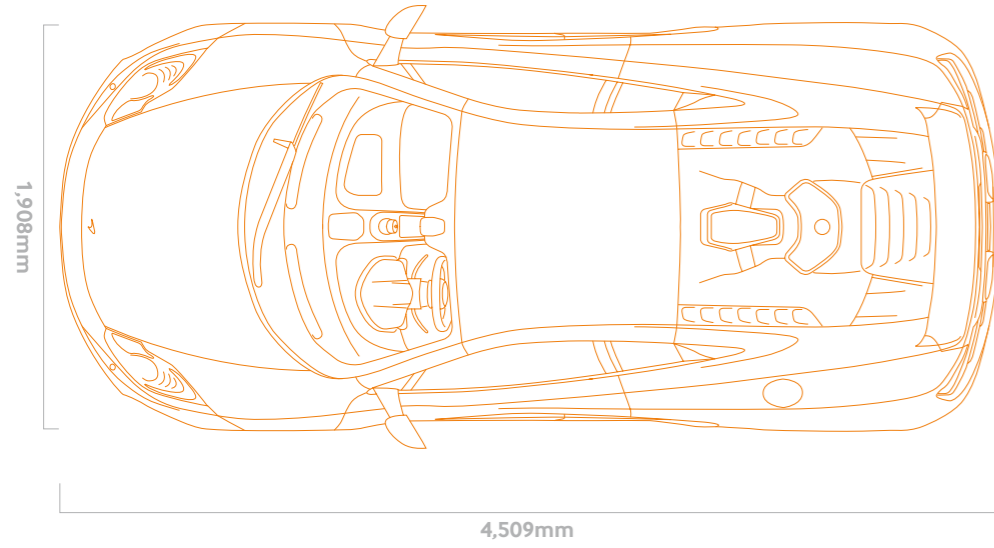


# MP4-12C DIMENSIONS



McLaren reserves the right to change product specifications at any time without notice or incurring obligation. All information presented herein is based on data available at the time of printing and is subject to change without notice.



## 12C TECHNICAL SPECIFICATION

3799

cc  
Engine capacity

625

PS  
Power

0.45

g/km per PS  
Sector best CO<sub>2</sub>/power

## 12C COUPE & SPIDER

\*with lightweight options †European

<b>Engine</b>
M838T
<b>Engine capacity</b> 3,799cc
<b>Type</b> 90° V8
<b>Technology</b> Twin-turbo, dry sump
<b>Valvetrain</b> 32-valve, DOHC, VVT
<b>Bore x stroke</b> 93mm x 69.9mm
<b>Compression ratio</b> 8.7:1
<b>Max rpm</b> 8,500
<b>Power</b> 625PS (460kW) 616hp (Q 7,500rpm)
<b>Torque</b> 600Nm (443lb ft) (Q 3,000-7,000rpm)

### Transmission

Seven-speed McLaren dual clutch Seamless-Shift gearbox (SSG) with Pre-Cog functionality

<b>Gear ratio (1st)</b> 4.0	<b>1st (mph/1,000rpm)</b> 6.0
<b>Gear ratio (2nd)</b> 2.6	<b>2nd (mph/1,000rpm)</b> 9.1
<b>Gear ratio (3rd)</b> 1.9	<b>3rd (mph/1,000rpm)</b> 12.5
<b>Gear ratio (4th)</b> 1.5	<b>4th (mph/1,000rpm)</b> 16.2
<b>Gear ratio (5th)</b> 1.2	<b>5th (mph/1,000rpm)</b> 20.6
<b>Gear ratio (6th)</b> 0.9	<b>6th (mph/1,000rpm)</b> 26.4
<b>Gear ratio (7th)</b> 0.7	<b>7th (mph/1,000rpm)</b> 34.8
<b>Final-drive ratio</b> 3.3	

### Steering

Rack & pinion

**Power steering** Variable rate, electro-hydraulic

**Turns lock to lock** 2.66

**Turning circle** 12.3m

### Wheels & brakes

**Wheel size** (F/R) 8.5" x 19"/11" x 20"

**Tyre type** Pirelli P-Zero

**Tyre size** (F/R) 235/35 R19/305/30 R20

**Brakes** Cast iron discs with forged aluminium hubs

**Brake size** (F/R) 370mm/350mm

**Brake callipers** (F/R) four-piston/four-piston

**Optional brakes** Carbon ceramic discs

**Optional brake size** (F/R) 394mm/380mm

**Optional brake callipers** (F/R) six-piston/four-piston

### Capacities

**Fuel tank** 72 litres

**Engine oil** 8.0 litres

**Coolant system** 20 litres

**Washer fluid** 4 litres

### Suspension

McLaren ProActive Chassis Control

Double-wishbone independent suspension

**Damping & roll modes** Normal, Sport & Track

### Vehicle dynamics

Open differential with Brake Steer

**Stability control modes** Winter, Normal, Sport & Track

**Driver aids** ABS, traction control, ESC, launch control

## 12C COUPE

### Weight

**DIN weight** 1,434kg (3,161lb)

**Dry weight** 1,336kg (2,945lb)

**Dry weight\*** 1,301kg (2,868lb)

**Weight distribution** (F/R) 42.5%/57.5%

### Efficiency

**CO<sub>2</sub>** 279g/km

**Fuel consumption (com.)** 11.7/100km (24.2mpg†)

**Power to weight\*** 480PS/tonne (473hp/tonne)

**CO<sub>2</sub>/power** 0.45g/km per PS

### Performance

**Maximum speed** 333kph (207mph)

**0-100kph (62mph)** 3.3s (3.1s with Corsa tyres)

**0-200kph (124mph)** 9.0s (8.8s with Corsa tyres)

**0-400m (¼ mile)** 10.8s (Q 218kph (135mph)

**0-1,000m** 19.5s (Q 274kph (170mph)

**0-60mph (97kph)** 3.2s (3.0s with Corsa tyres)

**0-100mph (161kph)** 6.2s (6.0s with Corsa tyres)

### Braking

**200-0kph (124-0mph)** 123m (404ft)

**100-0kph (62-0mph)** 30.5m (100ft)

## 12C SPIDER

### Weight

**DIN weight** 1,474kg (3,249lb)

**Dry weight** 1,376kg (3,033lb)

**Dry weight\*** 1,341kg (2,956lb)

**Weight distribution** (F/R) 42%/58%

### Efficiency

**CO<sub>2</sub>** 279g/km

**Fuel consumption (com.)** 11.7/100km (24.2mpg†)

**Power to weight\*** 466PS/tonne (459hp/tonne)

**CO<sub>2</sub>/power** 0.45g/km per PS

### Performance

**Maximum speed** 329kph (204mph)

**0-100kph (62mph)** 3.3s (3.1s with Corsa tyres)

**0-200kph (124mph)** 9.2s (9.0s with Corsa tyres)

**0-400m (¼ mile)** 11.0s (Q 214kph (133mph)

**0-1,000m** 19.6s (Q 271kph (168mph)

**0-60mph (97kph)** 3.2s (3.0s with Corsa tyres)

**0-100mph (161kph)** 6.3s (6.1s with Corsa tyres)

### Braking

**200-0kph (124-0mph)** 123.5m (405ft)

**100-0kph (62-0mph)** 30.7m (101ft)